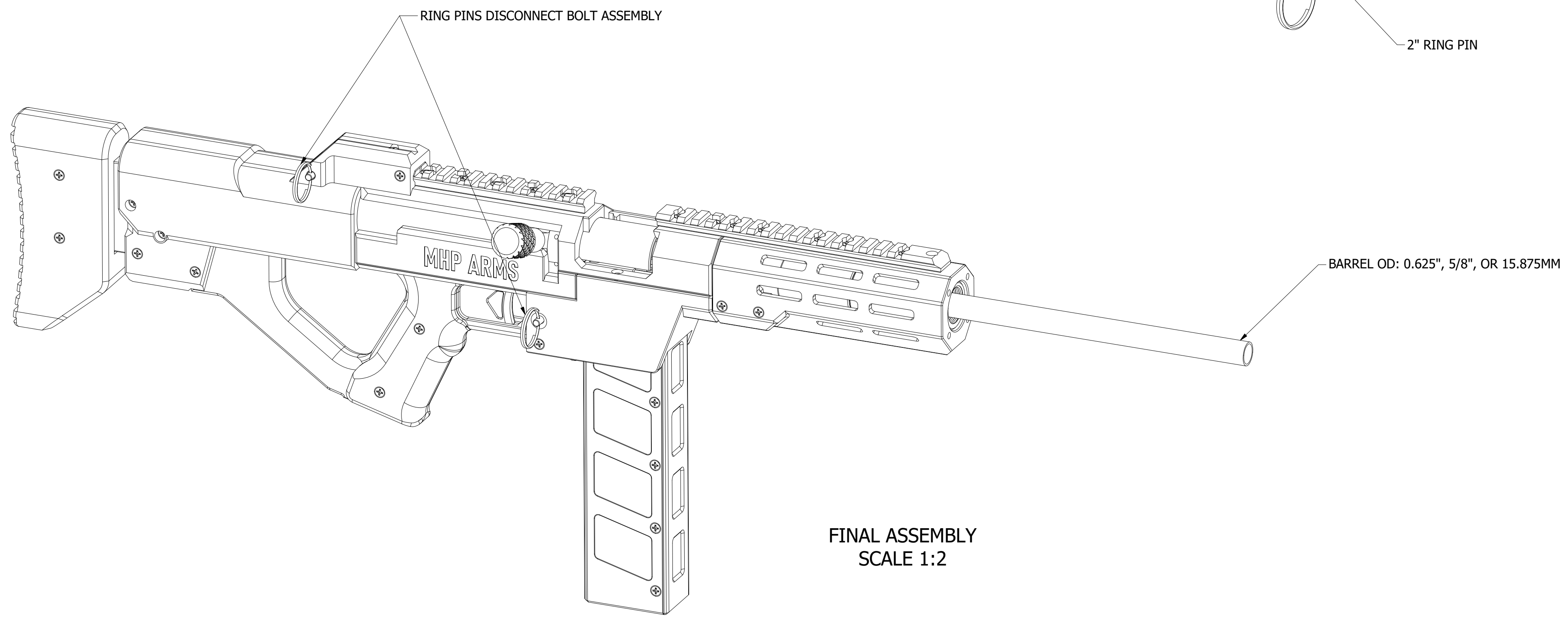


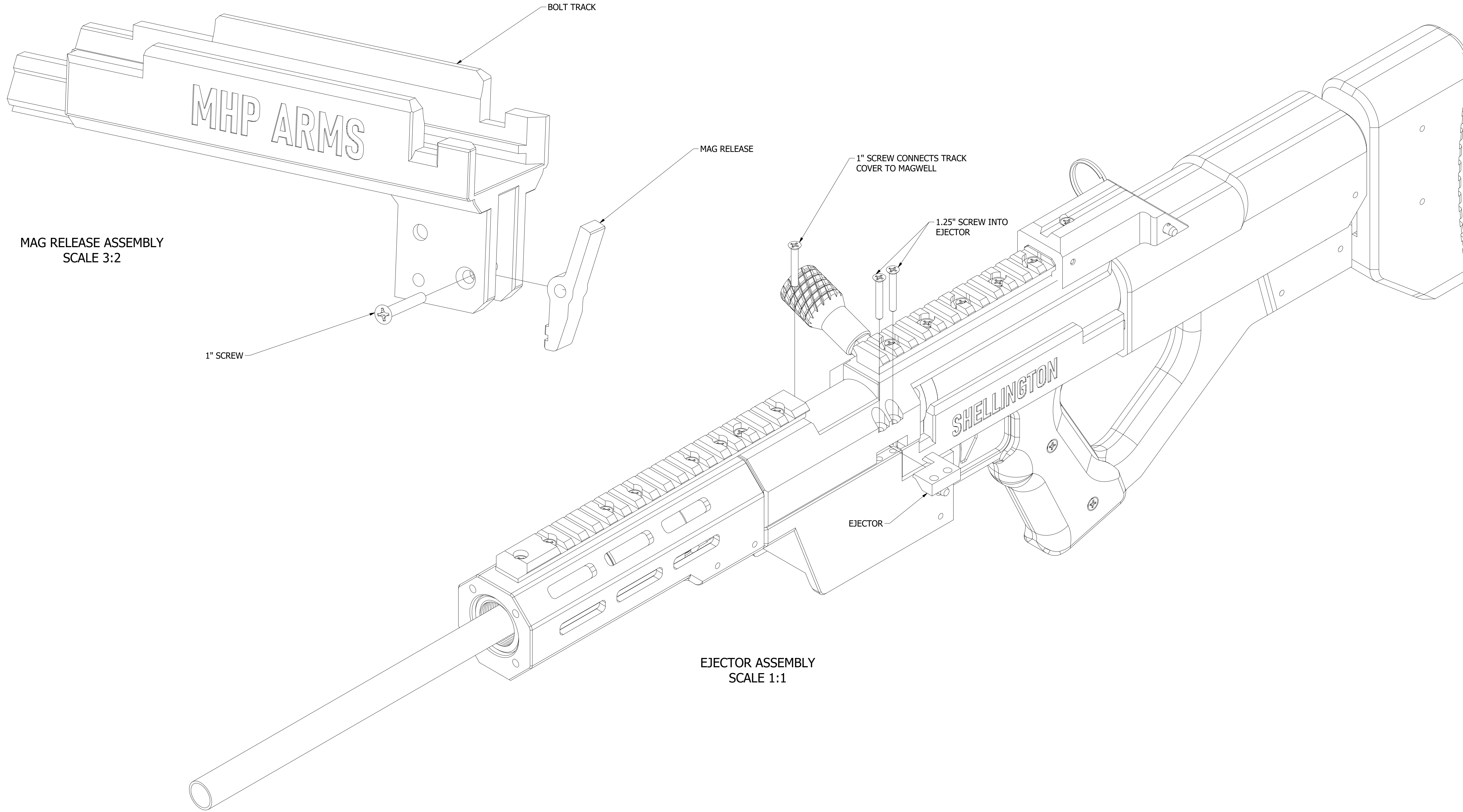
MAIN ASSEMBLY  
SCALE 3:4



FINAL ASSEMBLY  
SCALE 1:2

DRAWN GDOP26/HEATH	8/14/2023	SHELLINGTON LABS		
CHECKED		TITLE		
QA		WRENFIELD MK2		
MFG		SIZE	DWG NO	REV
APPROVED		D	BoltActionTop_R2_V13B	
		SCALE	3:4	SHEET 1 OF 4

8 7 6 5 4 3 2 1

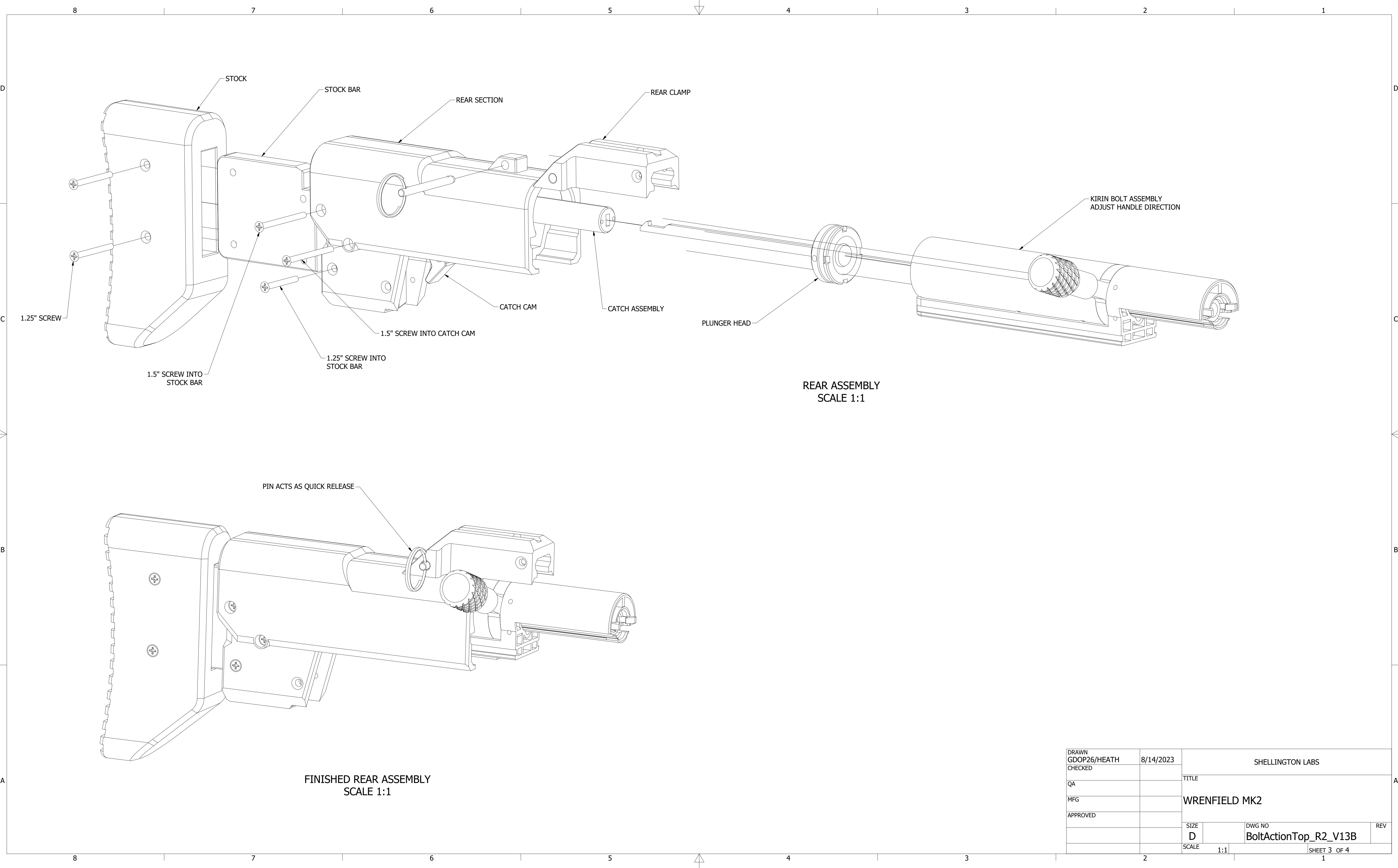


MAG RELEASE ASSEMBLY  
SCALE 3:2

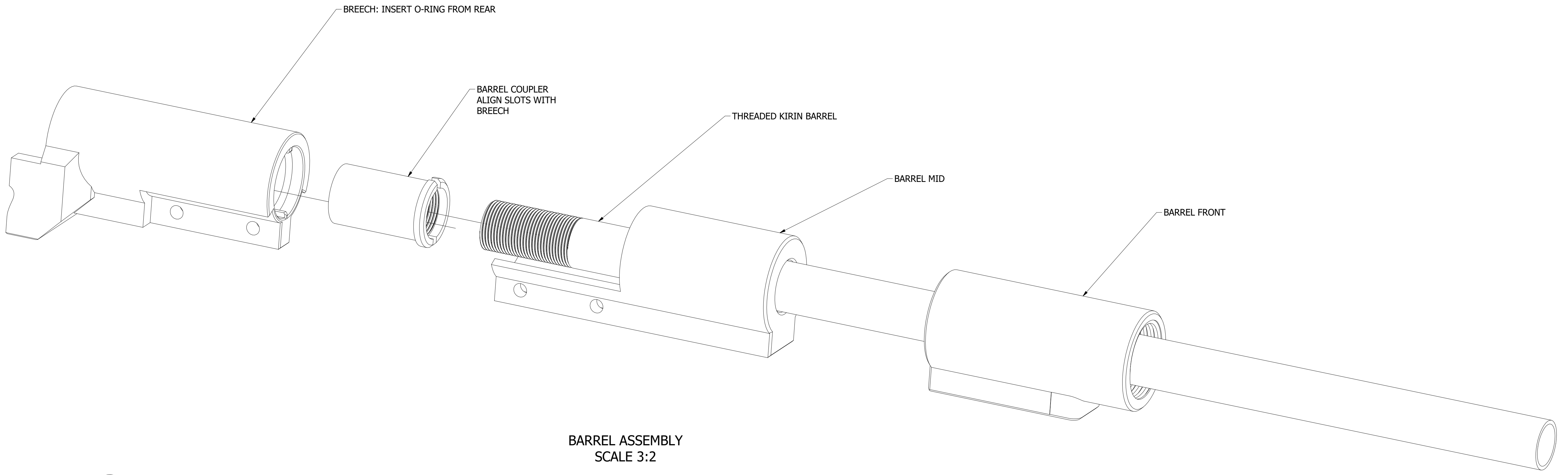
EJECTOR ASSEMBLY  
SCALE 1:1

DRAWN GDOP26/HEATH	8/14/2023	SHELLINGTON LABS		
CHECKED		TITLE		
QA		WRENFIELD MK2		
MFG				
APPROVED				
		SIZE D	DWG NO BoltActionTop_R2_V13B	REV
		SCALE 3:2	SHEET 2 OF 4	

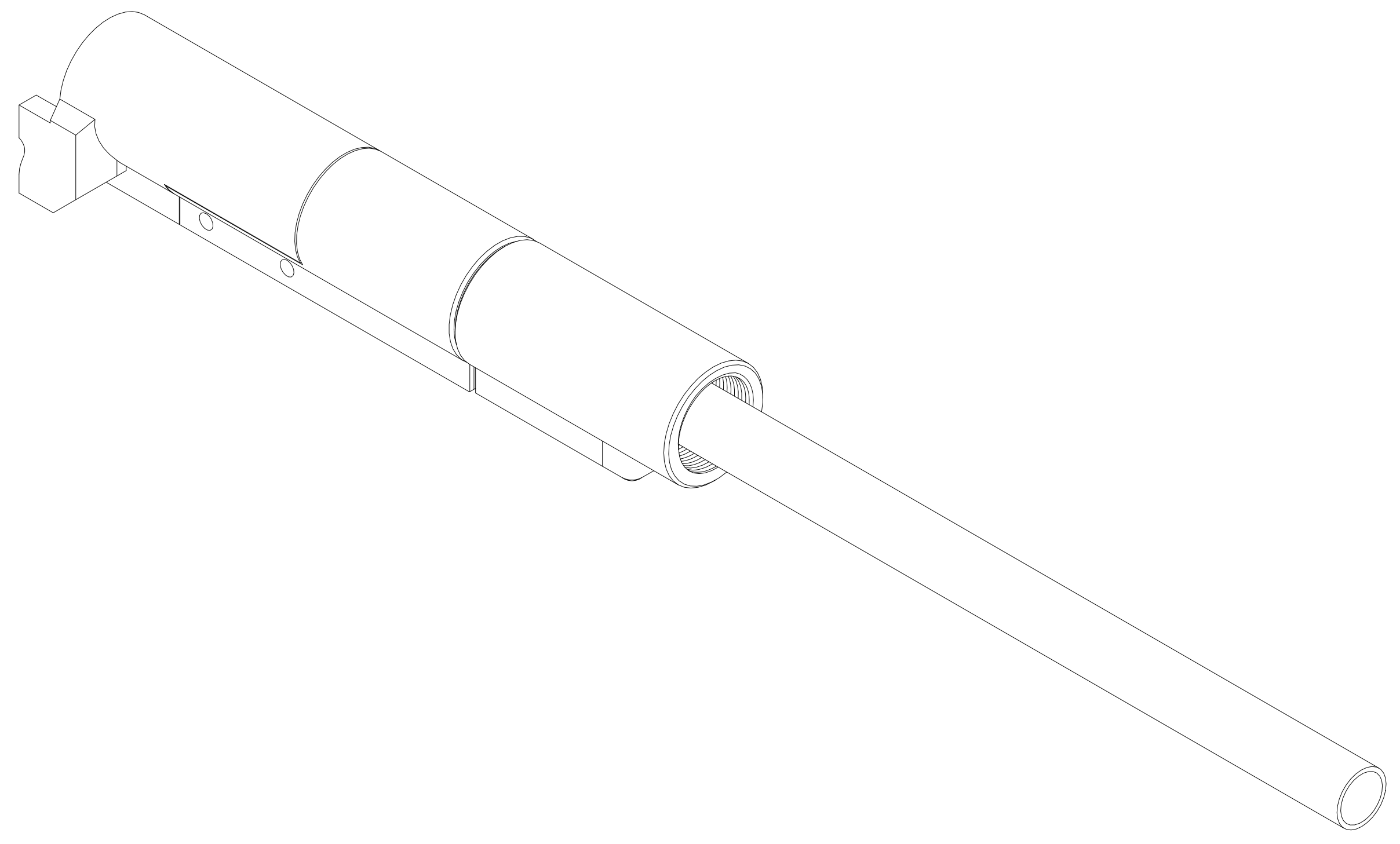
8 7 6 5 4 3 2 1



DRAWN GDOP26/HEATH	8/14/2023	SHELLINGTON LABS		
CHECKED		TITLE		
QA		WRENFIELD MK2		
MFG		SIZE	DWG NO	REV
APPROVED		D	BoltActionTop_R2_V13B	
		SCALE	1:1	SHEET 3 OF 4



BARREL ASSEMBLY  
SCALE 3:2



DRAWN GDOP26/HEATH	8/14/2023	SHELLINGTON LABS		
CHECKED		TITLE		
QA		WRENFIELD MK2		
MFG		SIZE	DWG NO	REV
APPROVED		D	BoltActionTop_R2_V13B	
		SCALE	3:2	SHEET 4 OF 4